

Worktop induction hob
4-zones 118 cm
Black

EAN 5414425219520



Cooker hood

Dimensions (mm)

Dimensions (WxDxH) (mm) 1100 x 162 x 760-840

Energy label

Energy efficiency class (EEIhood) B
 Annual energy consumption (kWh/y) (AEChood) 110,2
 Fluid Dynamic Efficiency class (FDEhood) B
 Lighting Efficiency class (LEhood) -
 Grease Filtering Efficiency class (GFEhood) C

General information

Integrated motor ●
 Sound absorber ●
 Number of metal grease filters 2
 Recirculation (default setting)/ Duct out ● / ●
 Number of exhausts 2
 Dimensions exhaust (mm) 89 x 222
 Position exhaust Bottom front / back

Functions

Preadjusted extraction function ●
 Manual extraction function ●
 Control Touch control
 Lock function control ●
 Number of speeds 5 + 3 intensive
 Delayed switch off (minutes) 10-30
 Grease filter cleaning indication ●
 Recirculation filter cleaning indication ●
 Removable glass ●
 Aspiration heights (cm) 10, 20, 30 + freely adjustable
 Watertank(s) for cleaning 2 upper, 2 lower

Air flow & noise level

Air flow duct out (m3/u) (EN 61591):
 - Minimum 243
 - Maximum 1051
 - Best efficiency point 489
 Air pressure (Pa):
 - Maximum 525
 - Best efficiency point 368
 Sound pressure /power duct out setting (dB(A) re 1 pW)(EN 60704-2-13):
 - Minimum 28/41
 - Maximum continues 48/60
 - Maximum intensive 58/71
 Sound pressure / power recirculation setting (dB(A) re 1 pW)(EN 60704-2-13):
 - Minimum 28/40
 - Maximum intensive 61/74

Induction hob

General characteristics

Black opaque glass	•
Bevelled glass edge	•
Surface and flushline mounting	• / •

Dimensions hob (mm)

Dimensions (WxDxH) (mm)	1180 x 520 x 65
Cut-out worktop (WxD)(mm)	1160 x 490
Dimensions cut-out with inset (WxDxH) (mm)	1184 x 524 x 6

Cooking zones

Octagonal zones (240 x 200 mm)	2
Power octagonal zones (W)	2100/3000 (Center right, right)
Round zone (230mm)	1
Power round zone (W)	2100/3000 (Center left)
Round zone (280mm)	1
Power round zone (W)	2100/3000 (Left)

Cooking functions

Control	Slider touch control with white LED's
Power levels	9 + Power + Super Power
Timer per zone	•
Minute minder	•
Stop&Go	•
Keep warm function	• (70 °C)
Automatic bridge function flexzones	• (1x)
Residual heat indication	•
Automatic cooking	•
Child lock function	•
Automatic pan recognition	•
Grill function	•
Chef function	•

Technical specifications

Maximum power cooker hood	450 W
Maximum power induction hob	7.400 W
Electrical connection cooker hood	230 V
Power cable cooker hood	Schuko 1m5
Electrical connection induction hob	230 V / 400V - 1N / 2N
Power cable induction hob	2m
Power consumption in stand-by Ps (W)	<0,5 W
Weight (kg)	56,0

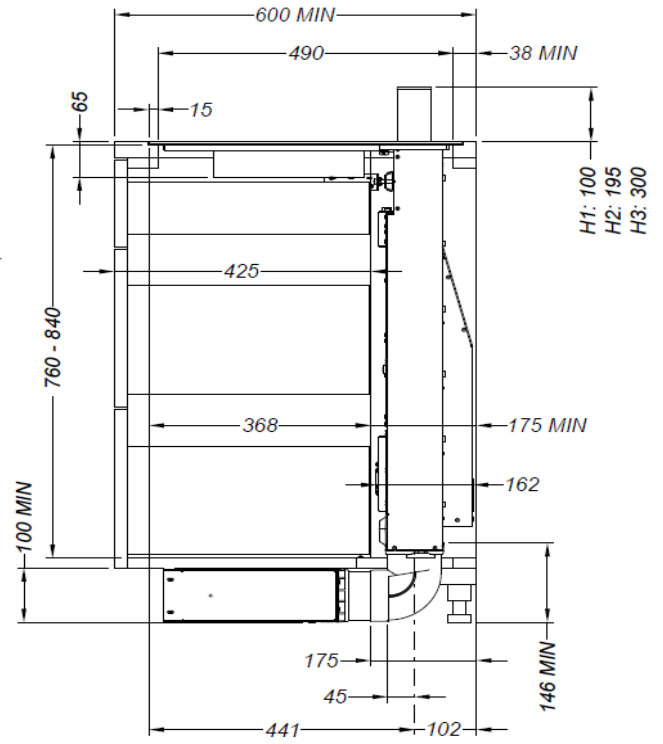
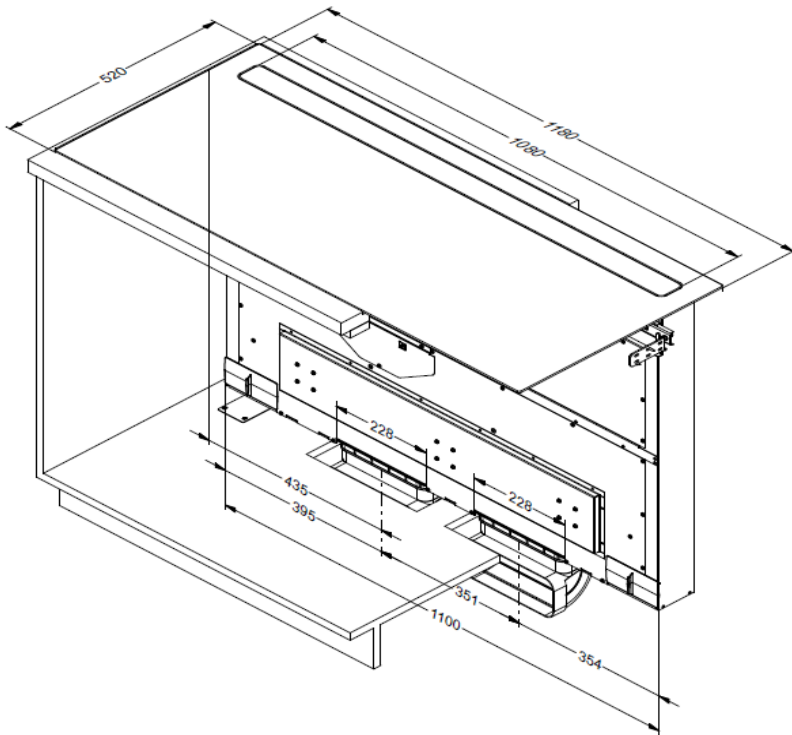
Accessories

Accessories

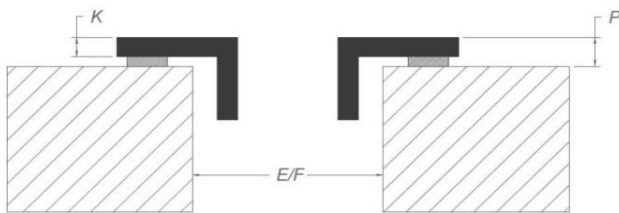
Recirculation box

- Recirculation box H 98 with Monoblock filter WHITE (98x1100x290mm)	7941400
- Recirculation box H 98 with Monoblock filter BLACK (98x1100x290mm)	7942400
- Recirculation box H 98 with Monoblock filter STAINLESS STEEL LOOK (98x1100x290mm)	7943400

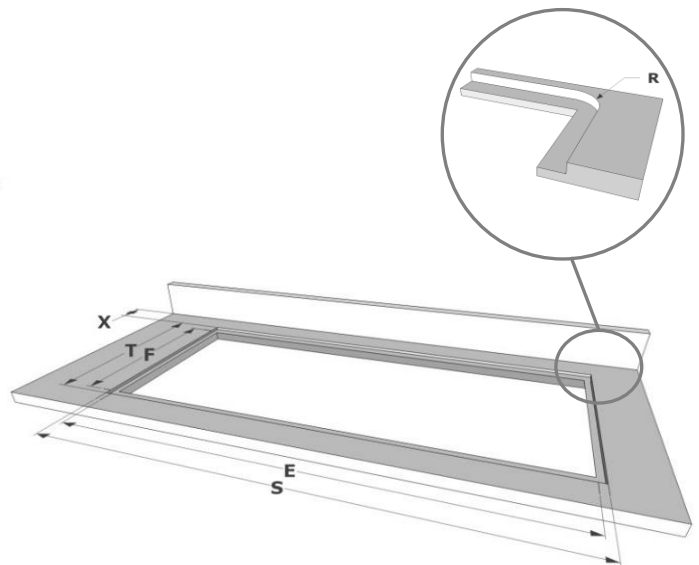
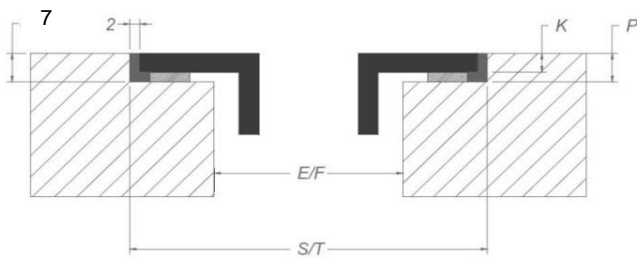
Dimensions



Surface mounting

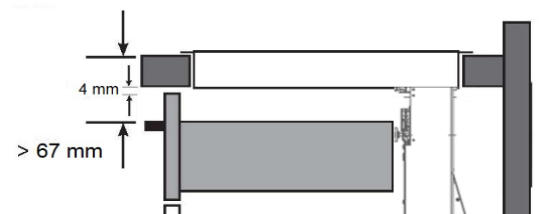


Flushline mounting



Dimensions

	mm							
	E	F	K	P	R	S	T	X
Surface	1160	490	4	6				38 min
Flushmount	1160	490	4	6	8	1184	524	38 min





Dimensions